

- American Reliable Insurance Company
- American Bankers Insurance Company of Florida
- Voyager Indemnity Insurance Company
- Standard Guaranty Insurance Company
- Voyager Property and Casualty Insurance Company

WOODSTOVE INSPECTION REPORT

Report must be completed and signed by licensed contractor or member of local fire department when woodstove is **not** factory installed or commercially installed by appliance distributor or licensed expert.

**PHOTOGRAPHS MUST BE SUBMITTED SHOWING INSIDE AND OUTSIDE VENTING.
(If installed by Manufacturer, do not complete.)**

NAMED INSURED:	POLICY NUMBER:
----------------	----------------

STOVE INFORMATION

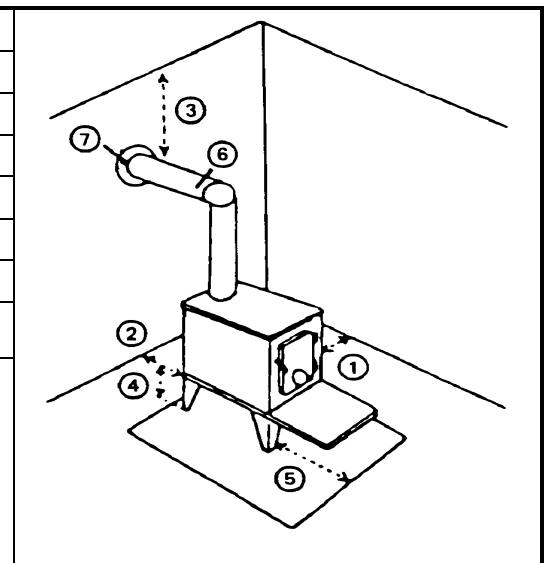
DATE INSTALLED:	INSTALLED BY:	PURCHASE COST: \$
MAKE/NAME:		IS WOODSTOVE EQUIPPED WITH A HEAT RECLAIMING DEVICE? <input type="checkbox"/> YES <input type="checkbox"/> NO
TYPE: <input type="checkbox"/> RADIANT <input type="checkbox"/> JACKETED <input type="checkbox"/> CIRCULATING	WHAT TYPE OF FUEL IS USED?	USE: <input type="checkbox"/> PRIMARY HEAT <input type="checkbox"/> AUXILIARY HEAT <input type="checkbox"/> COOKING <input type="checkbox"/> OTHER (Specify)
HOW OFTEN ARE CHIMNEY AND STOVEPIPES CLEANED?	DATE LAST CLEANED:	BY WHOM:

INSTALLATION INFORMATION (If woodstove is primary source of heat or double vented, risk is unacceptable.)

LOCATION OF STOVE IN HOME:	IS THERE A SMOKE DETECTOR IN THIS ROOM: <input type="checkbox"/> YES <input type="checkbox"/> NO
FLOOR PROTECTION: <input type="checkbox"/> ASBESTOS MILLBOARD COVERED WITH METAL <input type="checkbox"/> METAL <input type="checkbox"/> STONE/BRICK <input type="checkbox"/> OTHER (Specify)	
WALL PROTECTION: <input type="checkbox"/> ASBESTOS MILLBOARD COVERED WITH METAL <input type="checkbox"/> METAL <input type="checkbox"/> ASBESTOS MILLBOARD <input type="checkbox"/> OTHER (Specify)	IF NONE, IS THIS ACCEPTABLE WITH MANUFACTURER? <input type="checkbox"/> YES <input type="checkbox"/> NO
CHIMNEY TYPE: <input type="checkbox"/> FACTORY CHIMNEY <input type="checkbox"/> MASONRY <input type="checkbox"/> OTHER (Describe)	HOW MUCH AIR SPACE BETWEEN WALL PROTECTION AND COMBUSTIBLE WALL? _____ INCHES.

CLEARANCES

1	_____ INCHES	SIDE OF UNIT NEAREST TO WALL
2	_____ INCHES	REAR OF UNIT TO WALL
3	_____ INCHES	TOP OF STOVE PIPE TO CEILING
4	_____ INCHES	BOTTOM OF UNIT TO FLOOR
5	_____ INCHES	FRONT OF UNIT TO FRONT EDGE OF FLOOR PROTECTION
6	_____ INCHES	SIZE OF PIPE USED
7	_____ INCHES	SIZE OF THIMBAL OR ROOF JOIST SHIELD
DO THESE DISTANCES COMPLY WITH THE MANUFACTURER'S STANDARDS? <input type="checkbox"/> YES <input type="checkbox"/> NO		
REMARKS		



Contractor/Fire Department Signature: _____ Date: _____